

Energy Meter Module with 2 x 60A Single Phase CT's

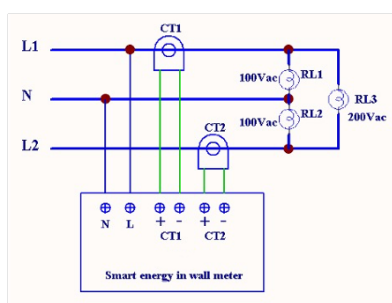
Part Number: ZW01171A



Features:

- Two independent metering channels
 - Powered device & acts as HALO Smart repeater
 - Measurements for W & kWh
- The HALO Energy Meter Module provides electrical monitoring of two single phase channels.
 - The module is designed for applications in home automation and light commercial environments
 - The technology uses a low-power RF radio system
 - Application can include domestic, school, office and light commercial etc monitoring applications

Rated Voltage	90~240V
RF Distance	Min. 40M indoor, 100M outdoor line of sight (subject to change due to environmental conditions such as walls, noise, materials etc.)
RF Frequency	868.4MH, 869.85MHz (EU)
Chip	Z Wave 500 series module
Rated Primary Current	0.05A~60A
Measure Error Rate	10% (under 40W) / 5% (above 40W)
Dimension	47.8(L) x 39.2(W) x15.6(H) mm Extend Length 1000mm
Weight	60g
IP Classification	Indoor use
Operation Temperature	0 ~ 40°C
Operation Humidity	85%RH max.



Danger of Electrocution
All works on the device must be performed by a qualified electrician.