

Dual Relay Output Module

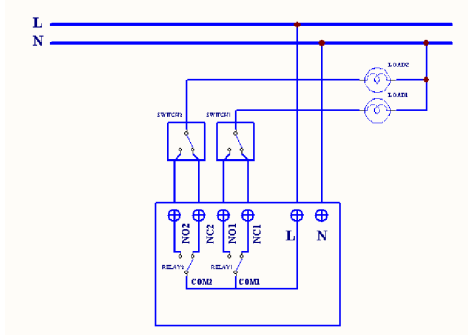
Part Number: ZW00971E



Features:

- Designed to be mounted easily in wall box
- Suitable for automating double 2 way light switch
- Metered loads for both circuits
- Allows for monitoring of circuit consumption
- Powered device & acts as HALO Smart repeater
- Measurements for W & kWh

Operating Voltage	100 ~ 240VAC (50Hz / 60Hz)
Maximum Load	5A (Resistive load)
Range	Minimum 40m indoor 100m outdoor line of sight (subject to change due to environmental conditions such as walls, noise, materials etc.)
Operating Temperature	0°C ~ 40°C
Frequency Range	868.40MHz; 869.85MHz (EU)



Danger of Electrocution
All works on the device must be performed by a qualified electrician.